

MARINE FANS & ACCESSORIES



ENAG FANS

Our range of ENAG fans has been designed especially for the marine environment. With more than 35 years' experience in fan design and manufacture, efficiency and reliability are assured.

ADVANTAGES

Designed to be reliable and rugged, ENAG fans are manufactured in accordance with the major marine classification authorities such as Bureau Veritas and DNV.

HOUSING

- Axial type: steel, aluminium or stainless steel
- Robust construction:
 - Motor mounting support welded
 - Thick mounting flanges welded
 - Epoxy coated or galvanised finish

DIMENSIONS

- from Ø165 to Ø1700 (other Ø please consult)

IMPELLER

- High resistance to corrosion
- Vibration limited – balanced G6.3 based on hub

MOTOR

Dimensioned for long life in permanent service
Efficiency up to 95%

AC MOTORS

IP 55 (standard) – power from 0.18kW to 37kW
Voltage: 230/400Vac – 400/690Vac three phase 50Hz
230Vac single phase 50hz

DC MOTORS

IP 55 (standard) – power from 0.18kW to 2.2kW
Voltage: 24Vdc
New brushless technology
Reduced maintenance
Variable speed

CERTIFICATION

- ATEX ATEX following directive 2014/34/EU
II2G EExd II B (T3 à T6).
II2G EExd II C (T3 à T6).

OPTIONS

We can supply different options according to customer requirements:

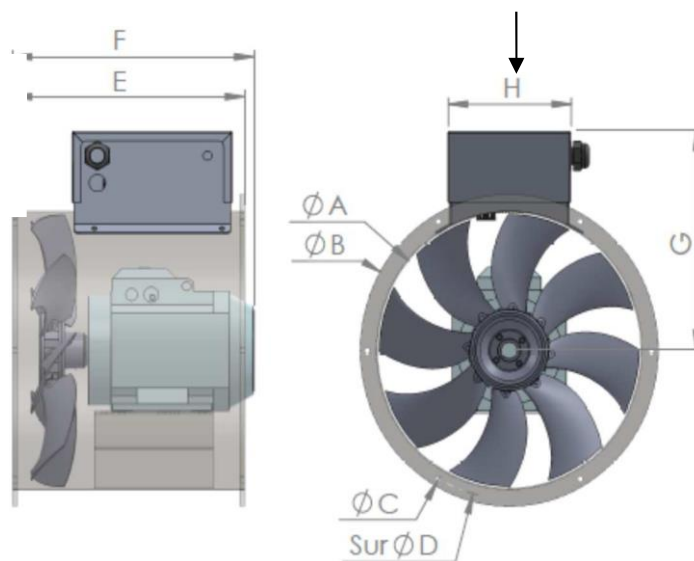
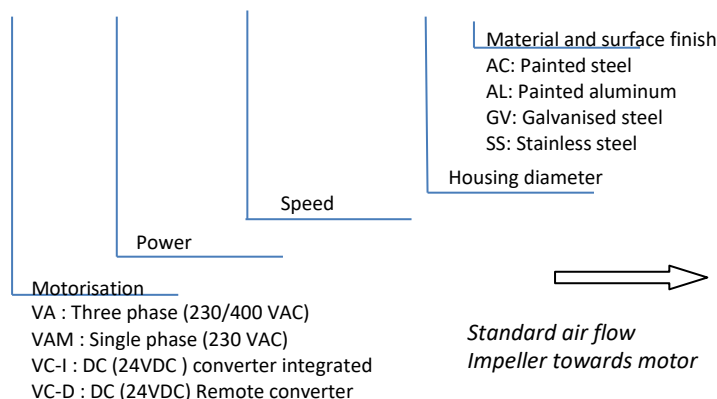
- Flow, pressure, housing diameter
- Short housings - Steel, aluminum or stainless steel
- AC fans 60Hz
- DC fans: 12VDC, 24VDC, 48VDC, 72VDC, 110VDC
- Fans for specific applications eg. ATEX...



AXIAL FANS – MAIN TECHNICAL SPECIFICATION

Part number:

VA - 0.37KW 3000 RPM \varnothing 320 AC



Int \varnothing 1700mm max (larger, please consult us)

VA : AC fan

VC : DC fan

3000RPM		CORRESPONDANCE PREVIOUS TYPE	LOW LIMITS		HIGH LIMITS		DIMENSIONS								
Housing diameter	Power		Flow (m ³ /h)	Pressure st (mm.Wg)	Flow (m ³ /h)	Pressure st (mm.Wg)	A	B	C	D	E	F VA	F VC	G	H
\varnothing 165	0,13kW *	VA/VC 8-5	750 -	30	1000 -	5	165	200	6x \varnothing 7	185	See data sheet				
\varnothing 255	0,37kW **	VA/VC 12-15	800 -	25	1450 -	5	255	300	6x \varnothing 7	280	280	295	295	245	185
\varnothing 320	0,37kW *	VA/VC 30-16	2200 -	30	3800 -	6	320	370	6x \varnothing 9	350	280	295	295	290	185
	0,55kW *	VA/VC 40-14	3000 -	25	4600 -	7						295	340		
	0,75kW *	VA/VC 42-22	3300 -	34	5000 -	7						315	340		
\varnothing 355	0,37kW *	VA/VC 36-17	2500 -	26	4500 -	7	355	409	6x \varnothing 9	385	310	310	310	310	185
	0,55kW *	VA/VC 48-15	3000 -	30	5500 -	8						310	345		
	0,75kW *	VA/VC 55-15	3800 -	28	6200 -	8						320	345		
	1,1kW *	VA/VC 60-18	4200 -	40	6600 -	7						320	365		
\varnothing 405	1,5kW *	VA/VC 65-27	5200 -	40	7900 -	8	405	459	6x \varnothing 9	435	320	385	365	335	185
	0,75kW *	VA/VC 60-15	3600 -	32	7000 -	7						330	355		
	1,1kW *	VA/VC 72-16	4500 -	39	8300 -	9						330	375		
	1,5kW *	VA/VC 80-20	4200 -	50	9200 -	8						395	375		
\varnothing 455	2,2kW *	VA 90-30	6200 -	56	10600 -	9	455	515	6x \varnothing 9	490	400	395	375	365	215
	1,1kW *	VA/VC 70-25	4500 -	36	9500 -	8						400	400		
	1,5kW *	VA/VC 80-33	6000 -	44	10700 -	9						400	400		
	2,2kW *	VA/VC 100-22	6000 -	60	13000 -	9						400	450		
	3kW	VA 110-30	6500 -	71	12300 -	9						420	450		
\varnothing 505	4kW	VA 120-40	7000 -	79	14000 -	9	505	565	8x \varnothing 9	540	420	420	420	390	215
	1,5kW *	VA/VC 95-25	6700 -	38	12500 -	7						420	460		
	2,2kW *	VA/VC 100-36	8000 -	46	13600 -	9						430	460		
	3kW	VA/VC 130-30	8000 -	53	15500 -	9						430	460		
\varnothing 555	4kW	VA 150-36	10000 -	71	17300 -	8	555	615	8x \varnothing 9	590	450	430	430	420	215
	1,5kW *	VA/VC 110-25	8000 -	40	15000 -	7						450	450		
	2,2kW *	VA/VC 140-22	10000 -	38	16400 -	9						450	465		
	3kW	VA 140-28	7800 -	56	16800 -	9						450	465		
\varnothing 606	4kW	VA 150-45	8500 -	81	18600 -	9	606	680	8x \varnothing 9	645	470	470	470	445	215
	2,2kW *	VA/VC 120-30	7000 -	52	15500 -	8						470	475		
	3kW	VA 140-40	7600 -	63	20000 -	8						485	475		
	5,5kW	VA 200-40	14400 -	64	24800 -	7						485	475		

* Exists as both VC-I and VC-D (24V)

The information contained in this leaflet is not of a contractual nature. ENAG reserves the right to amend the technical details of its products without advance notice. Please consult us before installing the units.

FC-VENT-EN-I

AXIAL FANS – MAIN TECHNICAL SPECIFICATION

1500RPM		CORRESPONDANCE PREVIOUS TYPE	LOW LIMITS		HIGH LIMITS		DIMENSIONS								
Housing diameter	Power		Flow (m³/h)	Pressure (mm.Wg)	Flow (m³/h)	Pressure (mm.Wg)	A	B	C	D	E	F VA	F VC	G	H
Ø355	0,37kW *	VA/VC 15-10	1500	10	2600	1	355	410	6 x Ø9	385	310	310		310	185
Ø405	0,37kW *	VA/VC 20-14	2800	12	4600	1	405	460	6 x Ø9	435	320	320		335	185
Ø455	0,37kW *	VA/VC 35-17	3500	17	6700	1	455	515	6 x Ø9	490	400	400	400	365	215
	0,55kW *	VA/VC 50-15	5000	17	6000	1						400	400	365	215
	0,75kW *	VA/VC 55-17	5500	17	9500	1						400	400	365	215
Ø505	0,75kW *	VA/VC 60-19	6000	19	10300	1	505	565	8 x Ø9	540	420	420	420	390	215
Ø555	0,75kW *	VA/VC 60-20	6000	20	10500	1	555	615	8 x Ø9	590	450	450	450		
	1,1kW *	VA/VC 80-19	8000	22	13100	1						450	450	420	215
	1,5kW *	VA/VC 100-20	7000	28	13300	1						450	450		
Ø606	1,5kW*	VA/VC 100-25	8500	25	16300	1	606	680	8 x Ø9	645	470	470	470	445	215
	2,2kW*	VA/VC 120-25	9000	31	15700	1						470	475	445	215
	3kW	VA 125-28	12200	31	18200	1						470			

* Exists as both VC-I and VC-D (24V)

1500RPM		CORRESPONDANCE PREVIOUS TYPE	LOW LIMITS		HIGH LIMITS		DIMENSIONS					
Housing diameter	Power		Flow (m³/h)	Pressure (mm.Wg)	Flow (m³/h)	Pressure (mm.Wg)	A	B	C	D	E	F
Ø706	4kW	VA 125-45	12500	45	21000	8	706	782	12 x Ø12	745	470	470
Ø807	7,5kW	VA 200-55	20000	55	31000	11	807	895	12 x Ø12	850	550	570
Ø807	11kW	VA 300-45	30000	45	47000	8						750
Ø1010	11kW	VA 350-40	30000	71	55000	9	1010	1096	16 x Ø14	1060	650	750
Ø1010	15kW	VA 420-40	38000	69	64000	10						800

1000RPM		CORRESPONDANCE PREVIOUS TYPE	LOW LIMITS		HIGH LIMITS		DIMENSIONS					
Housing diameter	Power		Flow (m³/h)	Pressure (mm.Wg)	Flow (m³/h)	Pressure (mm.Wg)	A	B	C	D	E	F
Ø1400	22kW	VA 500-50	48000	68	87000	9	1400	1532	20 x Ø18	1490	800	900
Ø1700	22kW	VA 900-39	60000	73	124000	8	1700	1832	28 x Ø24	1780	1000	1000
Ø1700	30kW	VA 1100-40	30000	71	150000	7						

CENTRIFUGAL FANS

Centrifugal fans are ideally suited to ventilation of living quarters:

- Lower noise level than axial fans
- Higher static pressure

ENAG centrifugal fans are manufactured using the same low maintenance technology as the axial fan range ensuring robustness and reliability.

- Housing: Steel or stainless steel
- Impeller: Steel or stainless steel

Please consult us for your requirements



The information contained in this leaflet is not of a contractual nature. ENAG reserves the right to amend the technical details of its products without advance notice. Please consult us before installing the units.

FC-VENT-EN-I

ACCESSORIES

We supply different options on request: start up kit, variable speed, grids, fire dampers, flexible couplings, shut off damper, mushroom vents, water separators...

 <p>LOUVRES</p>	 <p>WATER SEPARATOR</p>	 <p>ASSEMBLY EXAMPLE</p>
 <p>MUSHROOM VENT</p>	 <p>MUSHROOM VENT WITH SHUT OFF DAMPER</p>	
 <p>FIRE DAMPERS SHUT OFF DAMPERS</p>	 <p>ASSEMBLY EXAMPLE</p>	 <p>ASSEMBLY EXAMPLE</p>
 <p>SUPPORTS OR MOUNTING FEET</p>	 <p>FLEXIBLE COUPLING & MOUNTING PINS</p>	 <p>CONVERTER CABINET</p>